










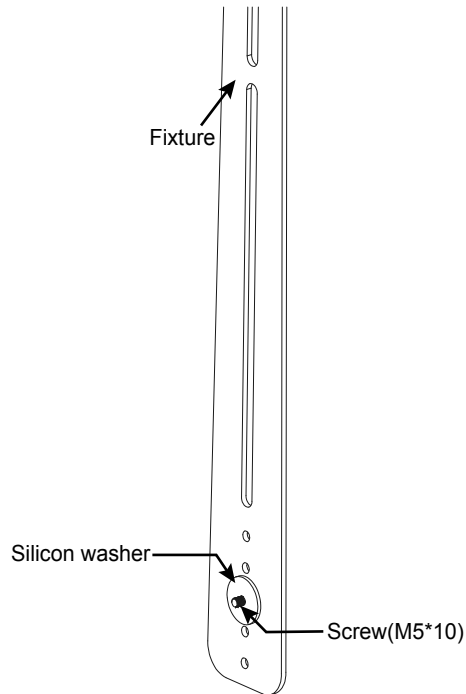
TV Mount Installation Guide

Package Contents

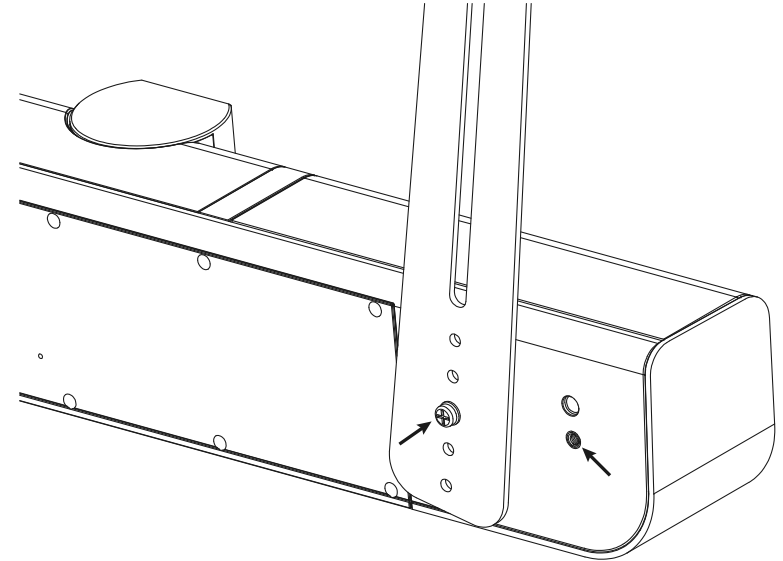


-  Screw(M5*10) x 2
-  Silicone washer x 2
-  Screw(M6*15) x 4
-  Metal washer x 2
-  Screw(M6*20) x 4
-  Washer(M6) x 4
-  Screw(M8*20) x 4
-  Washer(M8) x 4
-  Screw(M8*30) x 4

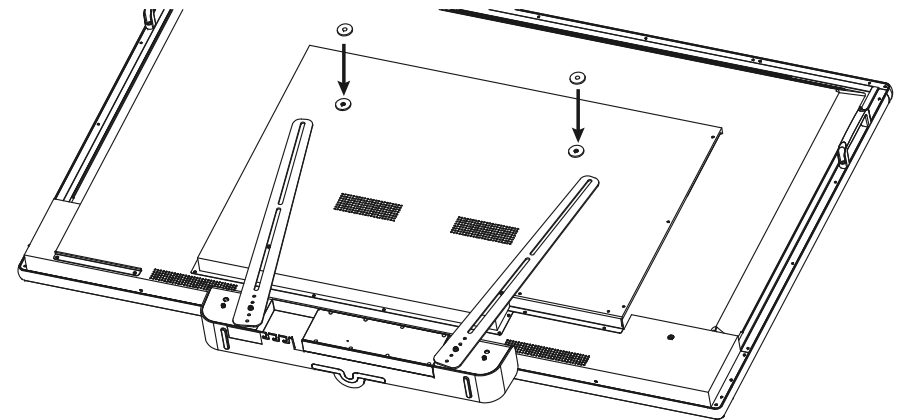
- (1) Fix the screw(M5*10) with silicone washer in suitable holes(1~5).



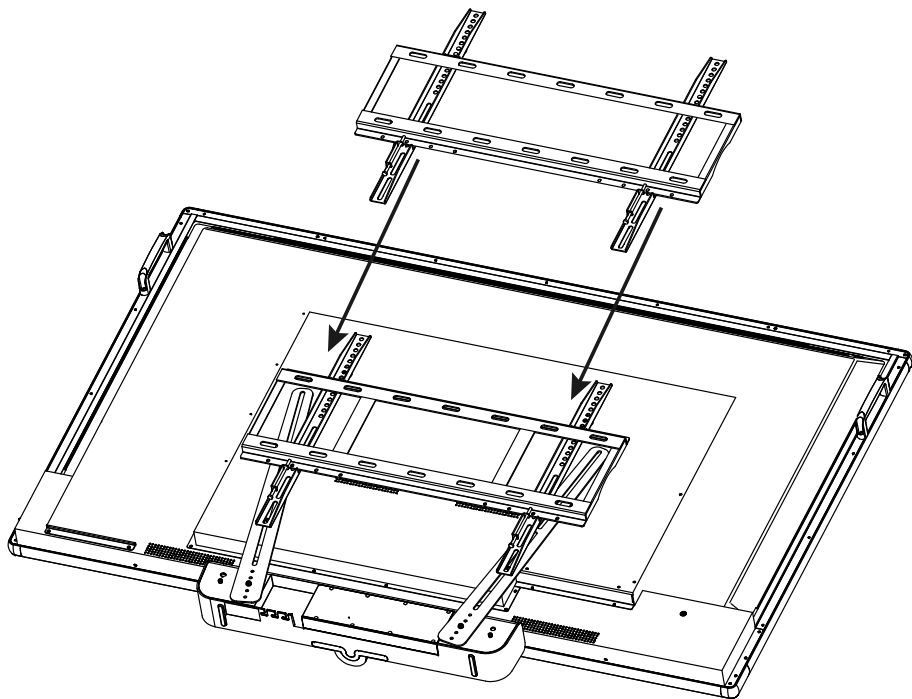
- (2) Secure the fixture which has completed step 1 on the left side fix hole or right side fix hole. Don't screw tight.



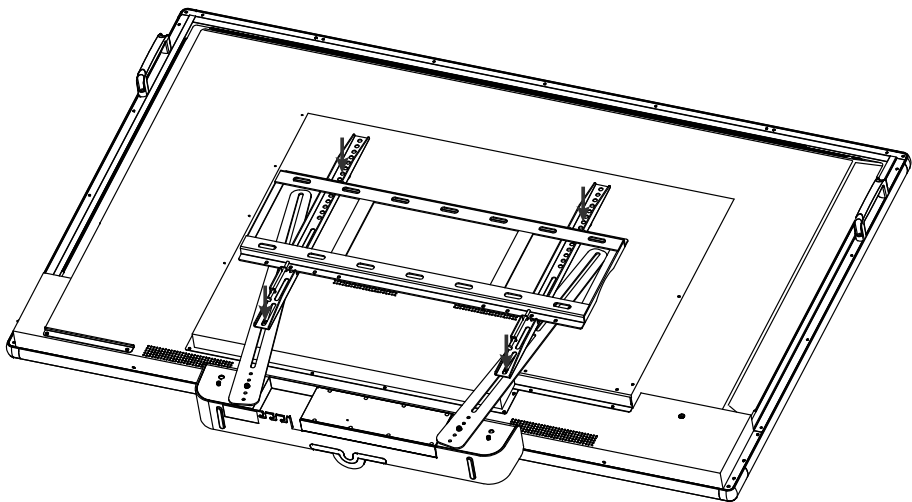
- (3) Place the metal washers on the mount holes of TV.
 [Note] If the user does not need to install the mount rack of TV, just skip step 3 to 5 and go to step 6.



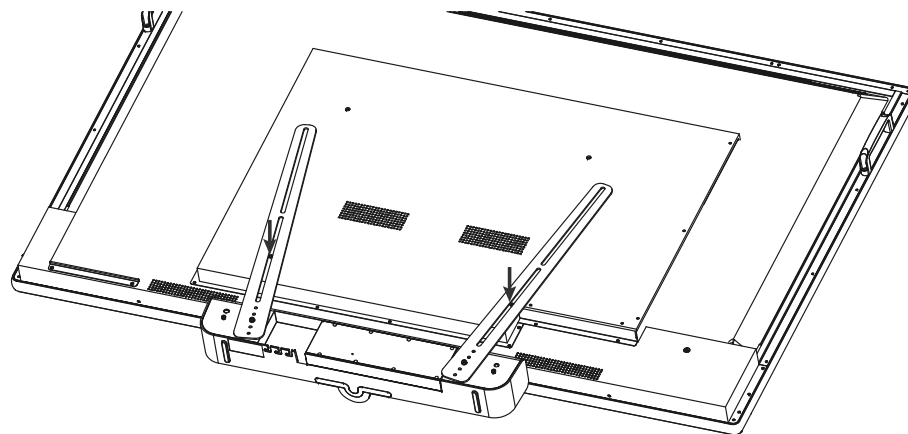
(4) Place mount rack of TV on top of fixture.



(5) Secure the mount rack and fixture on the TV. Please do not screw tight. Then, adjust the mount rack and fixture to an appropriate position if needed. Finally, screw tight all screws.



(6) If the user doesn't need to install mount rack of TV, then, secure the fixture on the TV. Then, adjust the fixture to an appropriate position if needed. Finally, screw tight all screws.



(7) The device can be mounted on top of the TV or bottom of TV. Both ways of installation are the same and please follow the steps have described above.

